



Hybrid and EV Training Solutions



Hybrid Engine Performance Model: MEG007-HYB (Honda • Ford • Toyota • & More)

This unit is built from a hybrid model vehicle and converted into an Engine Performance Trainer with built-in fault simulation. It is complete with a running engine, transaxle, drivetrain, suspension, front brakes, dashboard electrical system and computer.





EV/Hybrid High Voltage Batteries Training Kit

Model: MEGLOC-5281

Additional kits available:

Motors, Generators & Charging Systems
 Automotive High Voltage Battery Circuits
 Hybrid and EV Propulsion

System Main Relay Trainer

Model: MEG-SMR



EV Battery Demonstrator

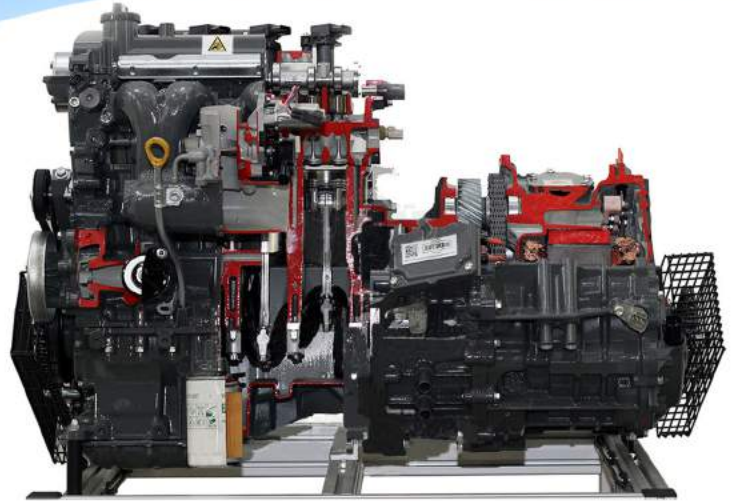
Model: MEG-EVB



Hybrid and EV Cutaways



MEGART34500
Hybrid Engine / Generator Cutaway



MEGART34500
Hybrid Engine / Generator Cutaway



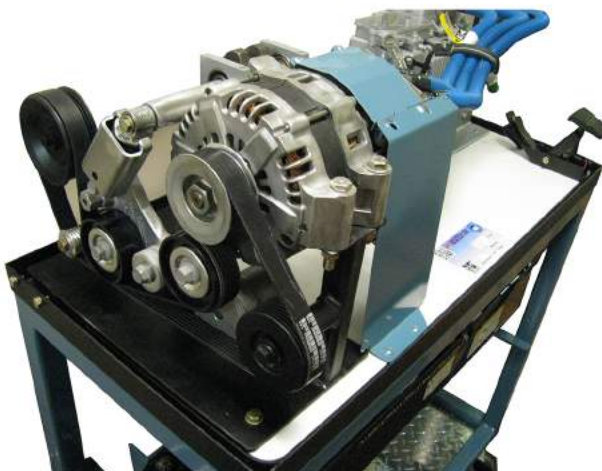
MEGART34500
Hybrid Engine / Generator Cutaway



MEGART-IMA
Honda Integrated Motor Assist



MEGART-HSD
Hybrid Synergy Drive



MEGART34500
Hybrid Engine / Generator Cutaway



MEGART-ESR
Electric Steering Rack



Megatech Corporation
www.megatechcorp.com

Custom Cutaways Available 978-973-9600